



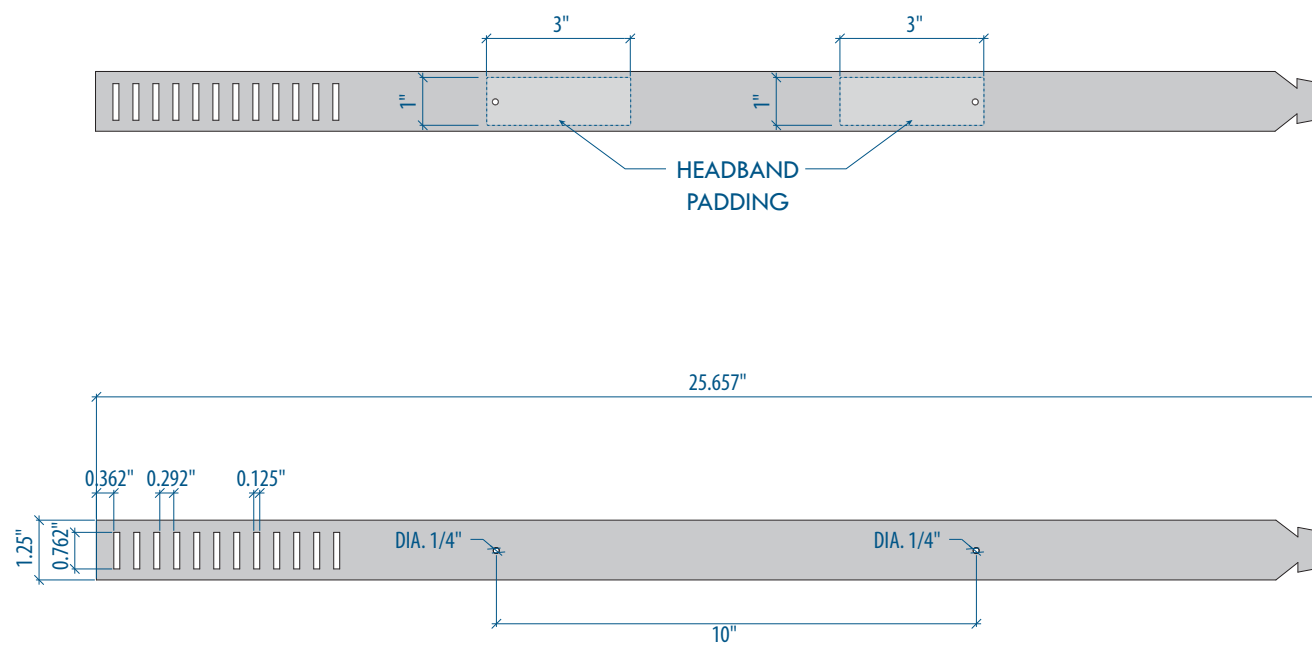
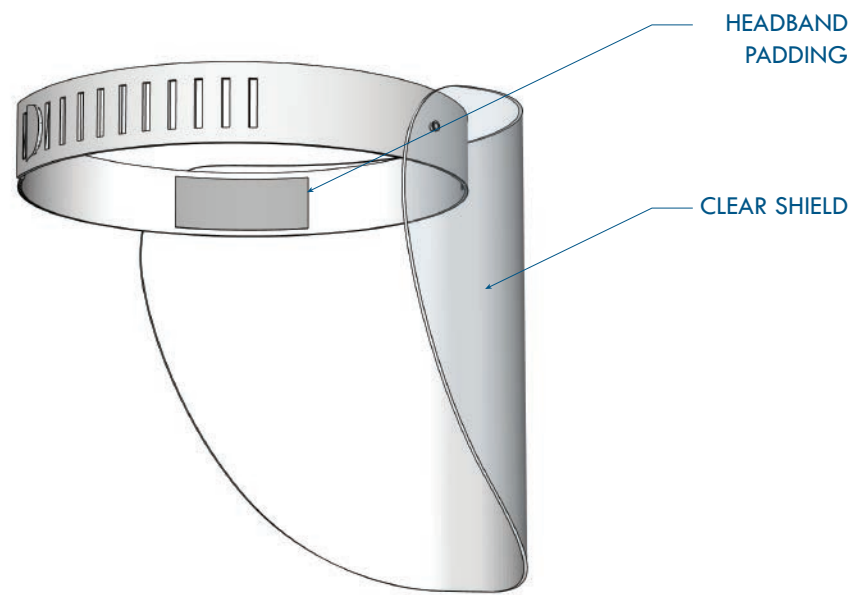
COVID-19 MEDICAL SHIELDS

FOR FURTHER INFORMATION CONTACT

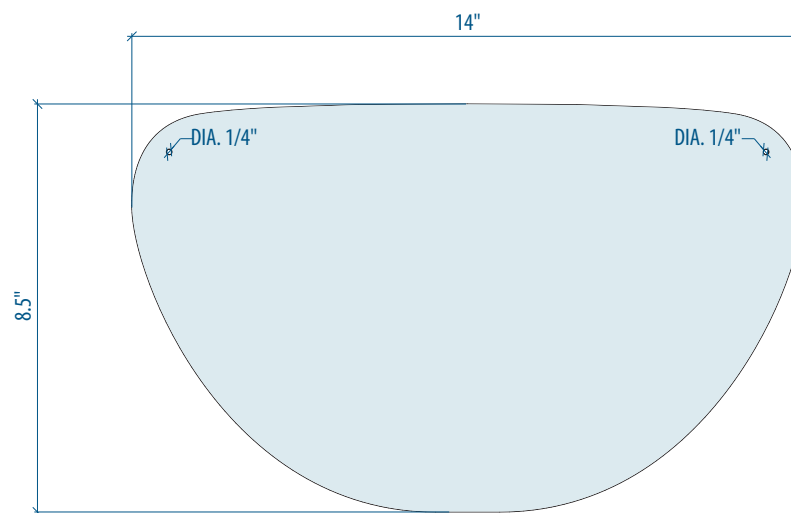
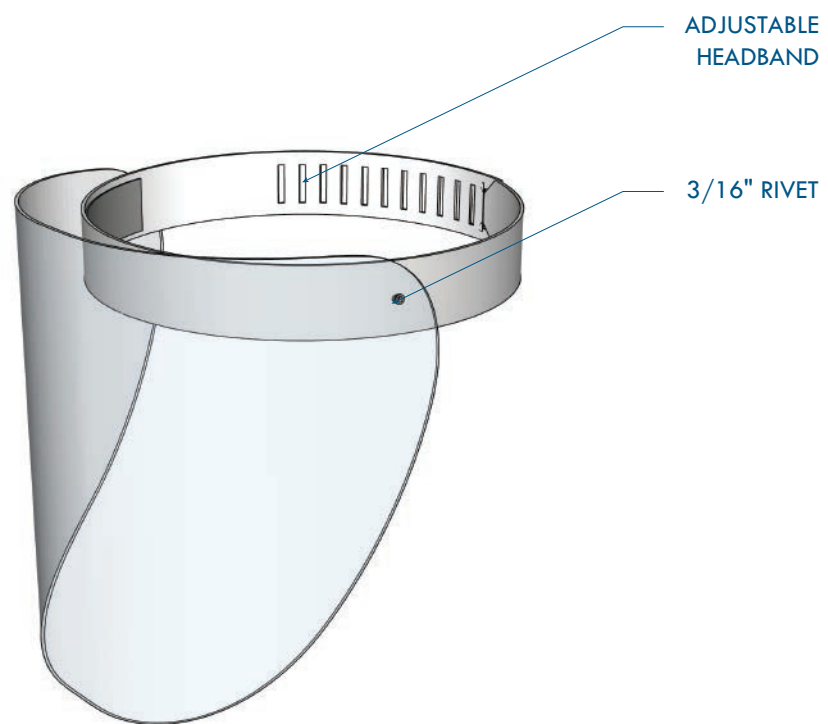
SEAN BURKE

42025 Zevo Drive | Temecula, CA 92590

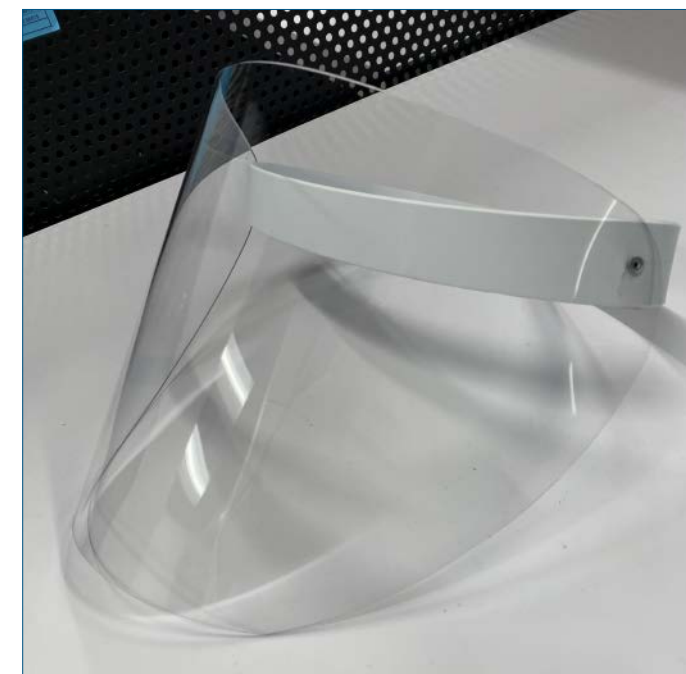
P: 818.357.1824 | E: Sean@60gritstudios.com



ADJUSTABLE HEADBAND



SHIELD



FACE SHIELD