



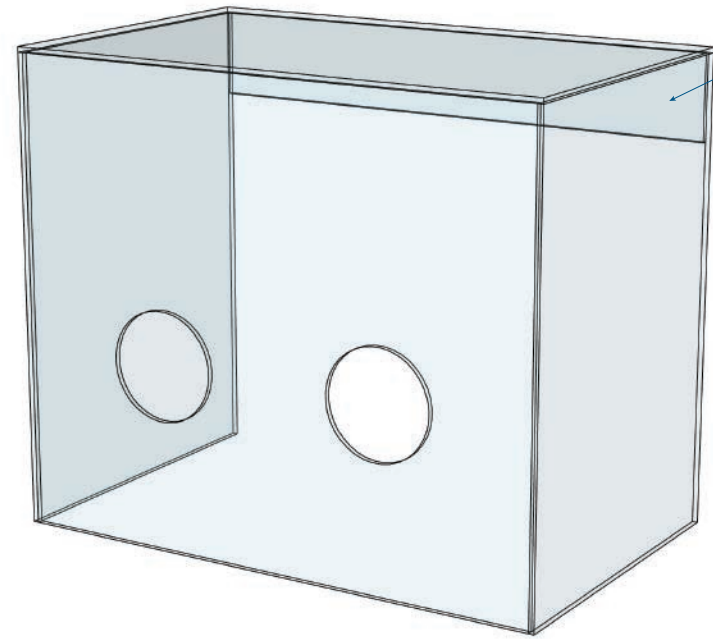
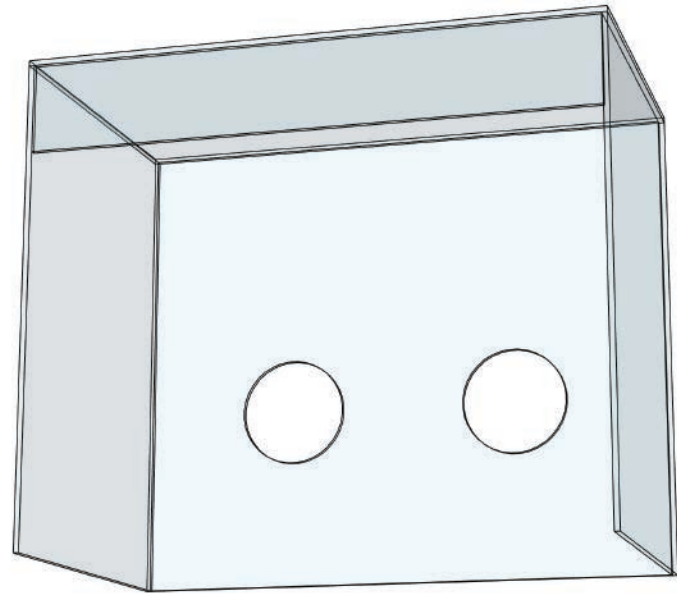
## **COVID-19 INTUBATION BOX**

FOR FURTHER INFORMATION CONTACT

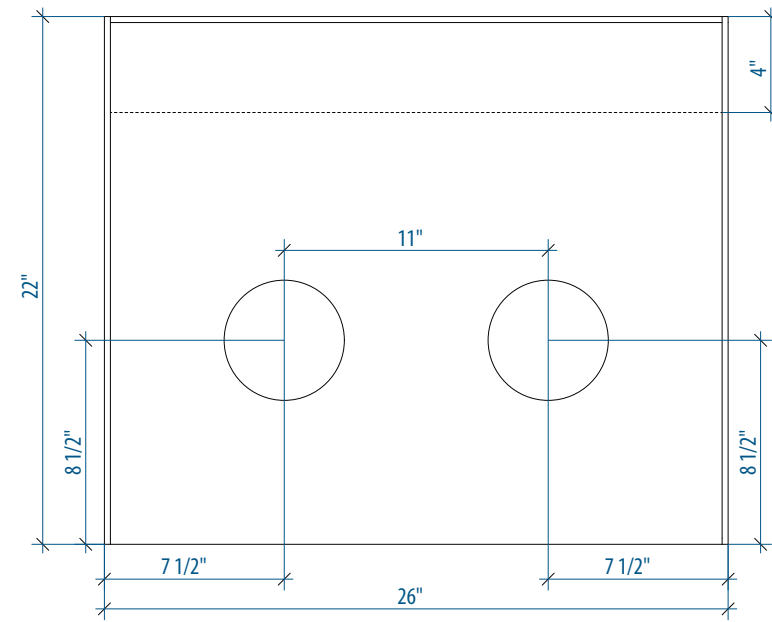
**SEAN BURKE**

42025 Zevo Drive | Temecula, CA 92590

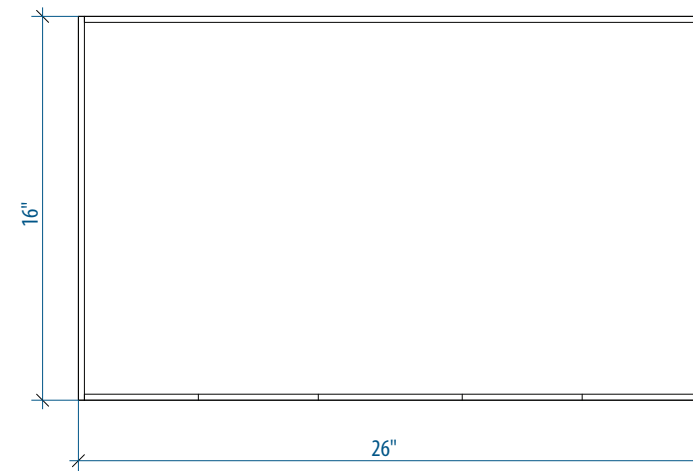
P: 818.357.1824 | E: [Sean@60gritstudios.com](mailto:Sean@60gritstudios.com)



ALL 1/4" CLEAR ACRYLIC



ELEVATION



PLAN VIEW