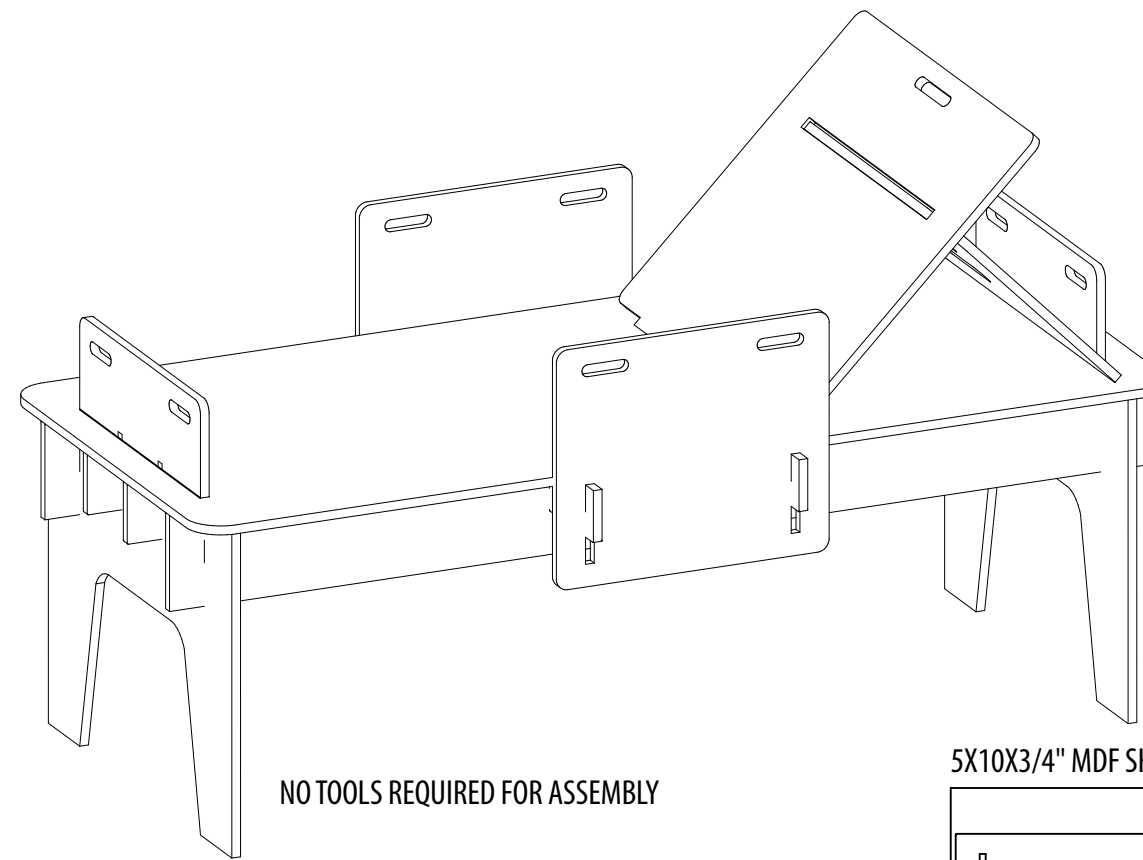
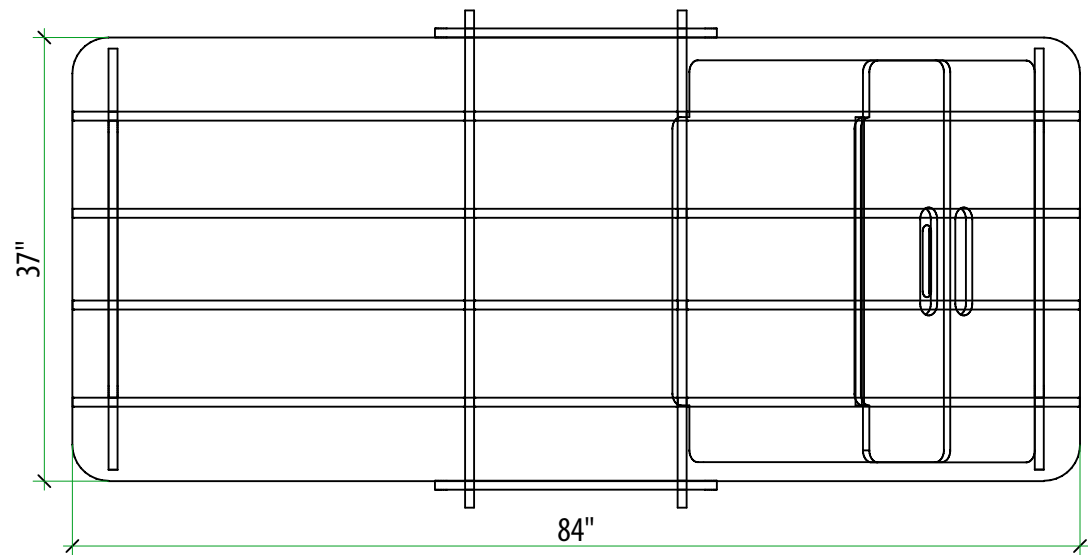


ELEVATION

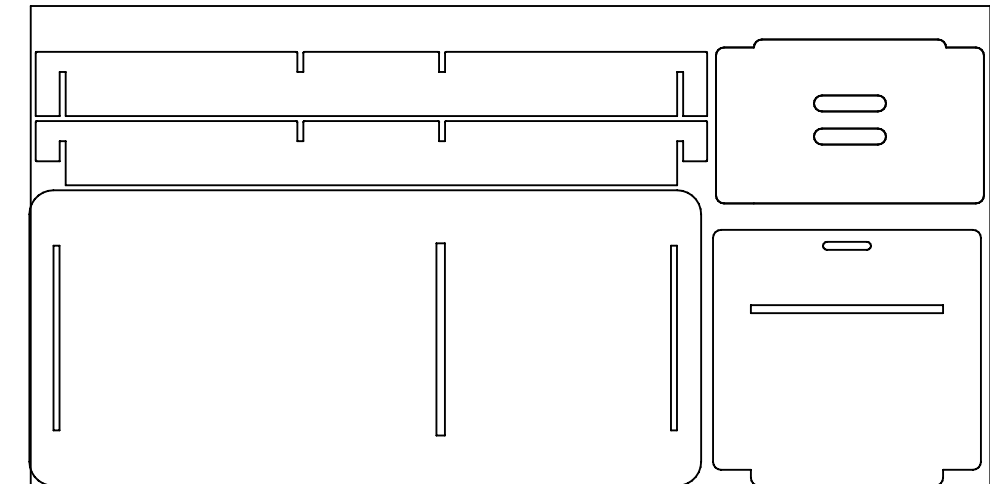


NO TOOLS REQUIRED FOR ASSEMBLY

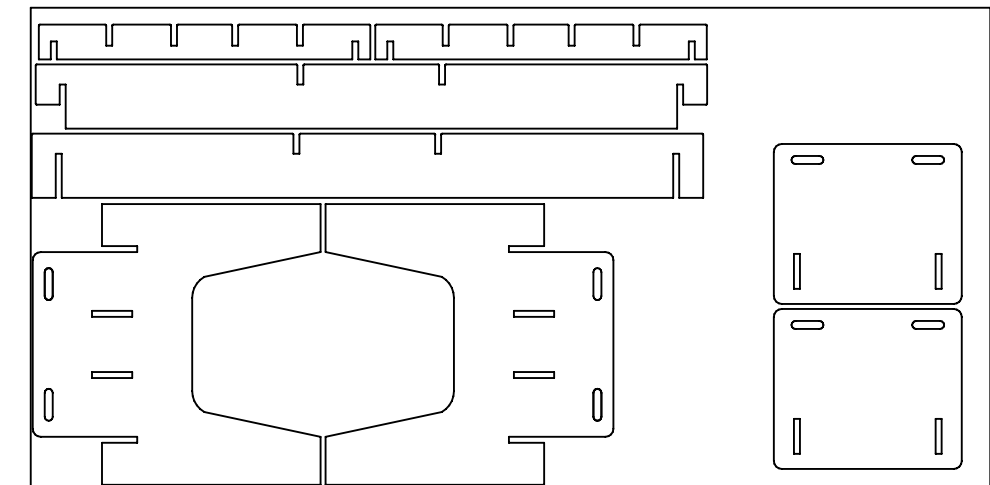


PLAN VIEW

5X10X3/4" MDF SHEET 1 QTY. 1



5X10X3/4" MDF SHEET 2 QTY. 1



<p>HOSPITAL BED</p> <p>Client:</p>	<p>Date: 4/2/20</p> <p>Scale: 3/4" = 1'-0", 1/2" = 1'-0"</p> <p>A.E. GM CAD: RY</p>	<p>Project: TEMPORARY WALL STRUCTURE</p> <p>Location: -----</p> <p>Event: --</p>	<p>42025 Zevo Dr. Temecula, California 92590 .951.905.5557</p> <p>The concepts and details recorded here are the sole property of 60 Grit Studios. Any use or reproduction without written consent is prohibited. ©</p>	<p>Page: 21 of 21</p>
------------------------------------	---	--	---	-----------------------